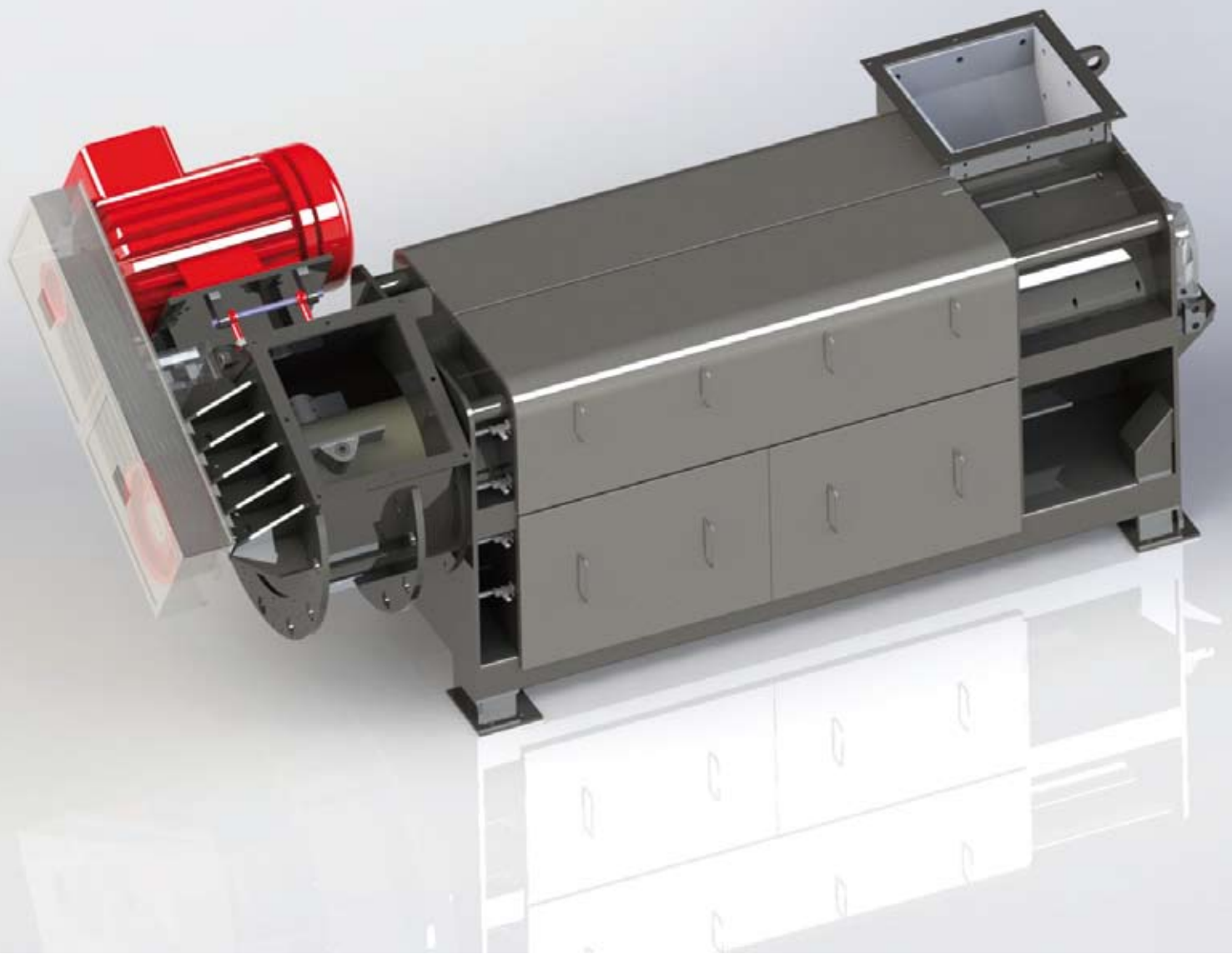




DELABELER

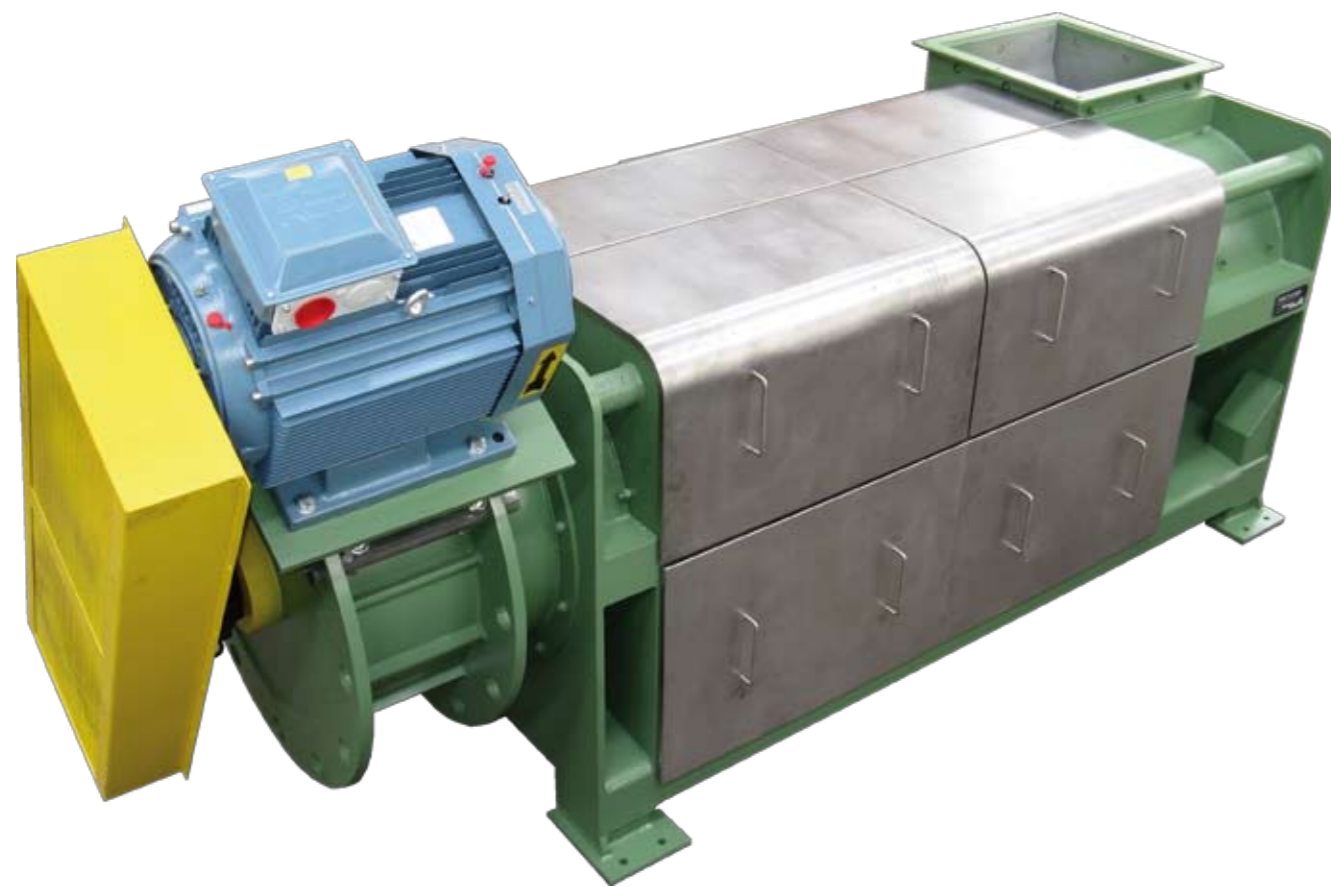


SOREMA
PLASTIC RECYCLING SYSTEM

STANDARD CHARACTERISTICS

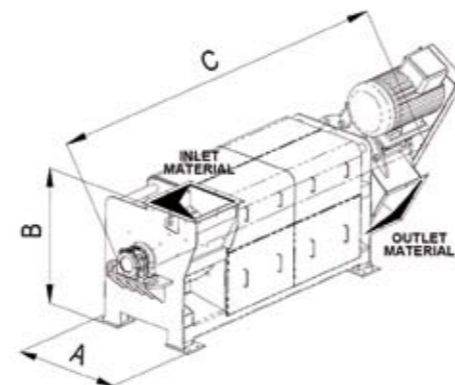
- High performance in separation of sleeve labels on PET bottles
- Removal of glued labels
- Strong surface decontamination
- Very low loss of bottle necks
- High flexibility (the machine can be easily integrated in any existing recycling lines assuring a wide range of production capacities)
- Low energy consumption
- Minimization of wear
- Easy maintenance operations and low maintenance costs
- Very useful not only as separation of sleeve labels but also as a dry pretreatment of mixed bottles or rigid packaging (associated with an aerodynamic separator the **Sorema** system is in position to obtain an excellent and more efficient separation of the light from the bulky materials and contaminants)

THE SOREMA SLEEVE LABELS REMOVING SYSTEM



MODELS AVAILABLE

MODELS	DIMENSIONS			CAPACITY KG/H
	A	B	C	
DL4/20	800 mm.	1200 mm.	2800 mm.	500÷1000
DL6/30	1240 mm.	1480 mm.	4100 mm.	2000÷4000 KG/H
DL7/40	1490 mm.	1770 mm.	4900 mm.	5000÷7000 KG/H



PREVIERO

SIZE REDUCTION TECHNOLOGY



RUBBER GRINDERS



SHREDDERS



PULVERIZERS



WET GRINDERS



COMPLETE
SYSTEM
FOR SIZE
REDUCTION

RUBBER GRINDERS

SHREDDERS

GRINDERS

PULVERIZERS

STRAND
PELLETIZERS

CUBE DICERS

SOREMA

PLASTICS RECYCLING SYSTEMS



PET BOTTLES



MIXED PLASTICS



PE/PP FILM



HDPE BOTTLES



MODULES FOR
RECYCLING
PROCESS

COMPLETE TURN
KEY SYSTEMS FOR:

PET/HDPE BOTTLES

PS/PP/PE
RIGID PLASTICS

MIXED PLASTICS

POST CONSUMER
FILM

AGRICULTURAL
FILM

VIA PER CAVOLTO, 17 • 22040 ANZANO DEL PARCO (CO) • ITALY

TEL. +39 031 63491250

sales@previero.it • sales@sorema.it • www.previero.it • www.sorema.it

Previero reserve the right to make changes to the machines in order to improve their operation.
The data of this catalogue must be therefore understood as informative.