

PREVIERO

SIZE REDUCTION TECHNOLOGY



PELLETIZERS
SERIES G





Complete range of accessory

FOR HIGH PRODUCTION,
AVAILABLE IN TWO MODELS:
TA 400 G
WITH 400 MM BLADE WIDTH
TA 800 G
WITH 800 MM BLADE WIDTH

- AVAILABLE WITH:**
- 40 AND 50 BLADE CUTTER ROTOR
 - BOLTED BLADE ROTOR WITH 8 OR 27 BLADES
 - 40 BLADES ROTOR WITH WEDGE BLOCKING
 - COMPLETE PLANTS WITH DIE, WATER BASIN, DRYING, SIEVE UNIT

OPTIONS

- TUNGSTEN CARBIDE FIXED BLADE
- UPPER FEEDING ROLLERS IN SPECIAL POLYMERIC ALLOYS
- UPPER FEEDING ROLLERS WITH SPRING RINGS
- COMPLETE STAINLESS STEEL CONSTRUCTION
- CONTROL PANEL WITH DOUBLE INVERTER FOR THE PRODUCTION OF VARIABLE LENGTH GRANULES AND MICROGRANULES
- MOTOR DRIVEN DOUBLE FEEDING

BLADES

- SPECIAL STEEL BLADES WITH HIGH HARDNESS
- TUNGSTEN CARBIDE BLADES
- BLADES WITH PDV-TIN SURFACE TREATMENT



Carbide fixed blades with 4 cutting edges

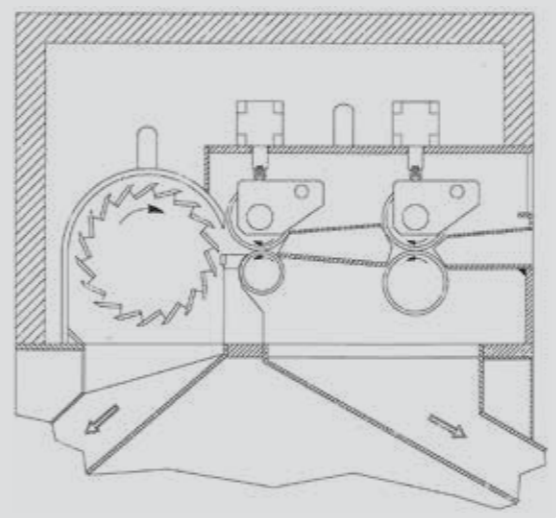


Cutter rotor

Water cooling of the rotor

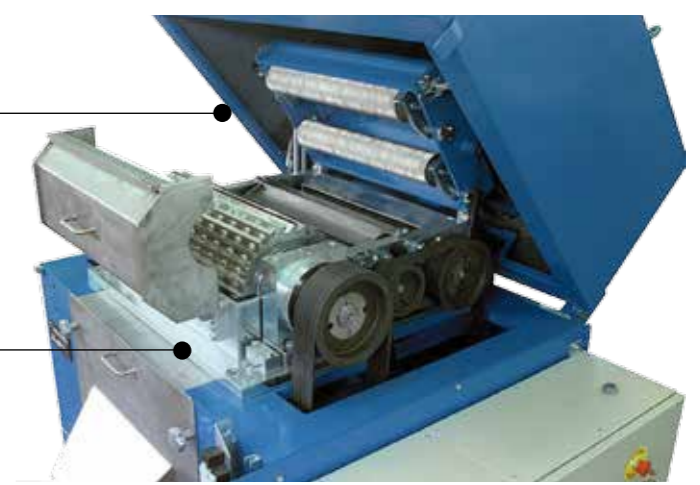
front discharge of fines

PELLETIZER SECTION



Metal upper feeding rollers for abrasive material

Adjustment for rotor position with micrometric screws



Easy access to the cutting chamber



Rotor with interchangeable screw locked blade



PREVIERO

SIZE REDUCTION TECHNOLOGY



RUBBER GRINDERS



SHREDDERS



PULVERIZERS



WET GRINDERS



COMPLETE
SYSTEM
FOR SIZE
REDUCTION

RUBBER GRINDERS

SHREDDERS

GRINDERS

PULVERIZERS

STRAND
PELLETIZERS

CUBE DICERS

SOREMA

PLASTICS RECYCLING SYSTEMS



PET BOTTLES



MIXED PLASTICS



PE/PP FILM



HDPE BOTTLES



MODULES FOR
RECYCLING
PROCESS

COMPLETE TURN
KEY SYSTEMS FOR:

PET/HDPE BOTTLES

PS/PP/PE
RIGID PLASTICS

MIXED PLASTICS

POST CONSUMER
FILM

AGRICULTURAL
FILM

VIA PER CAVOLTO, 17 • 22040 ANZANO DEL PARCO (CO) • ITALY

TEL. +39 031 63491250

sales@previero.it • sales@sorema.it • www.previero.it • www.sorema.it

Previero reserve the right to make changes to the machines in order to improve their operation.

The data of this catalogue must be therefore understood as informative.