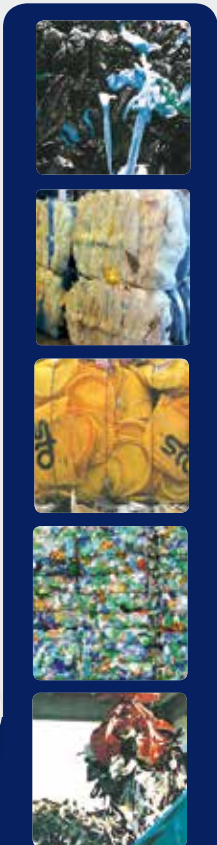


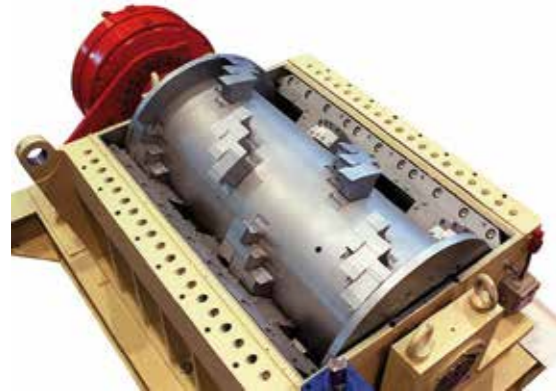
PREVIERO

SIZE REDUCTION TECHNOLOGY



SHREDDER
PR SERIES





SHREDDER PR

THE SINGLE-ROTOR SHREDDER ARE PARTICULARLY SUITABLE FOR THE PRE-GRINDING OF A WIDE RANGE OF MATERIALS.

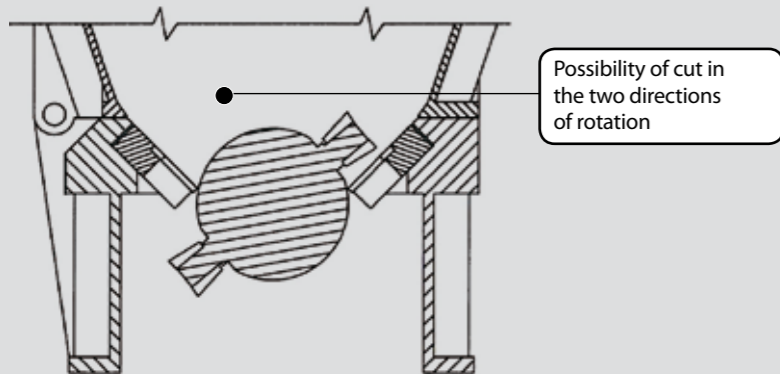
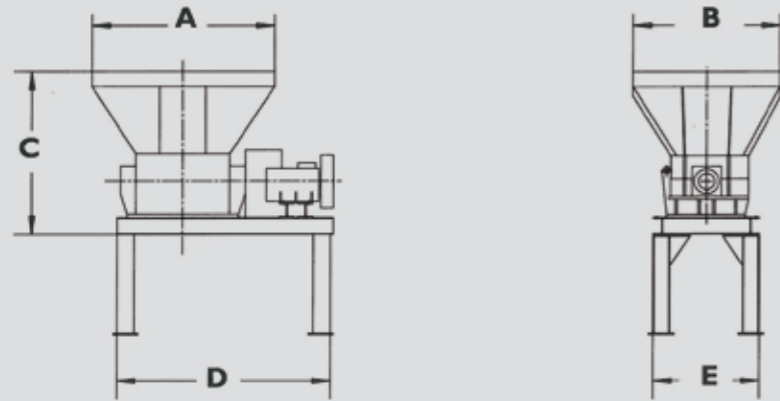
THE INSTALLATION OF THE SHREDDER SERIE PR ALLOWS TO AUTOMATIZE THE FEEDING AREA OF THE GRINDING LINES OR THE PRE-TREATMENT OF THE RECYCLING PLANTS.

THE REGULAR FEEDING OF THE LINES WITH PRE-CUT MATERIAL ALLOW THE PRODUCTION INCREASE AND A POWER CONSUMPTION REDUCTION.

OPERATING PRINCIPLES

THE MATERIAL LOADED IN BALES BY CONVEYOR BELT OR BY MEANS OF CRANE IS PROGRESSIVELY CHOPPED BY THE ROTOR. DURING THE ROTATION THE ROTOR CUTS A QUANTITY OF MATERIAL PROPORTIONAL TO THE OPERATING CONDITIONS. THE SHAPE AND THE NUMBER OF BLADES ARE CHOSEN ACCORDING TO THE APPLICATIONS TO OPTIMIZE THE CUTTING EFFICIENCY.

THIS PECULIAR OPERATION OF THE SINGLE-ROTOR SHREDDER ENABLES THE MACHINE TO SELF-ADJUST THE FEEDING AVOIDING ANY RISK OF OBSTRUCTION.



Possibility of cut in the two directions of rotation

ADVANTAGES

- DOUBLE DIRECTION OF ROTATION TO AVOID BRIDGES OF MATERIAL IN THE HOPPER
- OPERATION WITH DIFFERENT CYCLES ACCORDING TO THE MATERIALS, POSSIBILITY TO START WITH FULL HOPPER AND AUTOMATIC REVERSE IN CASE OF OVERLOAD
- THE PARTICULAR SHAPE OF THE BLADES AND THE SPECIAL ANTI-WEAR LABYRINTHS PREVENT THE WINDING OF MATERIALS ON THE ROTOR SIDE SUCH AS FIBERS OR FILMS
- EASY OPENING OF THE MACHINE FOR CLEANING AND BLADES REPLACEMENT
- QUICK AND EASY REPLACEMENT OF THE FIX AND ROTATING BLADES
- LOW SPEED ROTATION WITH REDUCED WEAR AND BLADES CONSUMPTION
- OPTIMIZATION IN THE DESIGN OF THE BLADES, WITH REDUCED COST OF MANUFACTURE AND SHARPENING

MODEL	A	B	C	D	E	KW	ROTOR
PR 812	2400	1600	2200	2610	2460	75/32	Ø 750 X 1200
PR 1500	2765	2025	2305	2990	2300	132/315	Ø1000 X 1500



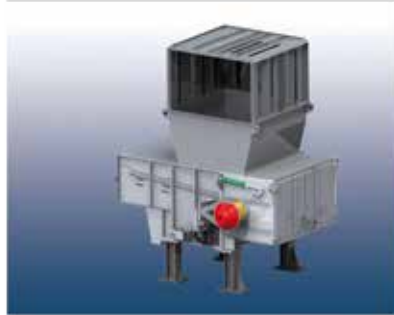
Hydraulic pusher

PREVIERO

SIZE REDUCTION TECHNOLOGY



RUBBER GRINDERS



SHREDDERS



PULVERIZERS



WET GRINDERS



COMPLETE SYSTEM FOR SIZE REDUCTION

RUBBER GRINDERS

SHREDDERS

GRINDERS

PULVERIZERS

STRAND PELLETIZERS

CUBE DICERS

SOREMA

PLASTICS RECYCLING SYSTEMS



PET BOTTLES



MIXED PLASTICS



PE/PP FILM



HDPE BOTTLES



MODULES FOR RECYCLING PROCESS

COMPLETE TURN KEY SYSTEMS FOR:

PET/HDPE BOTTLES

PS/PP/PE RIGID PLASTICS

MIXED PLASTICS

POST CONSUMER FILM

AGRICULTURAL FILM

VIA PER CAVOLTO, 17 • 22040 ANZANO DEL PARCO (CO) • ITALY

TEL. +39 031 63491250

sales@previero.it • sales@sorema.it • www.previero.it • www.sorema.it

Previero reserve the right to make changes to the machines in order to improve their operation.

The data of this catalogue must be therefore understood as informative.