

PREVIERO

SIZE REDUCTION TECHNOLOGY



TRAMU

CONTINUOS AGGLOMERATOR





Tramu is a series of continuous agglomerators designed to densify a wide range of plastic materials such as films, monofilaments, fibers, nonwoven fabrics. the special design of the screw and the cylinder generates a high compression of the material which densifies thanks to a generated heat.

ADVANTAGE

- COMPACT DESIGN, WIDE FLEXIBILITY OF USE, MINIMUM MAINTENANCE REQUIREMENTS, EASY INTEGRATION IN AUTOMATIZED AND CONTINUOUS PLANTS
- COMPARED WITH THE OTHER EXISTING SYSTEMS, THE LOW ROTATION SPEED ENSURES MINIMUM THERMAL STRESSES OF THE MATERIAL
- THE ELECTRIC RESISTANCES COMPENSATE THE SUPPLY OF HEAT REQUESTED WHEN THE FLOW OR THE FEATURES OF THE FED MATERIAL VARIES
- IT ELIMINATES THE RESIDUAL HUMIDITY IN THE MATERIAL AND IT ALLOWS TO REACH EXCELLENT APPARENT DENSITIES OF THE DENSIFIED MATERIAL
- COSTANT ENERGY CONSUMPTION

WITH HOT GRINDER

In the recycling plants for films, it solves the problem of drying and storage. The fluff of wet and voluminous film is densified, dried and ground, obtaining a product which:

- can be stored and homogenized in big quantities in traditional mixing silos
- can be easily fed to the extruders with improvement of the production and of the quality
- can be transported, siloed, packed as any other plastic ground material

COMBINED WITH AN EXTRUDER

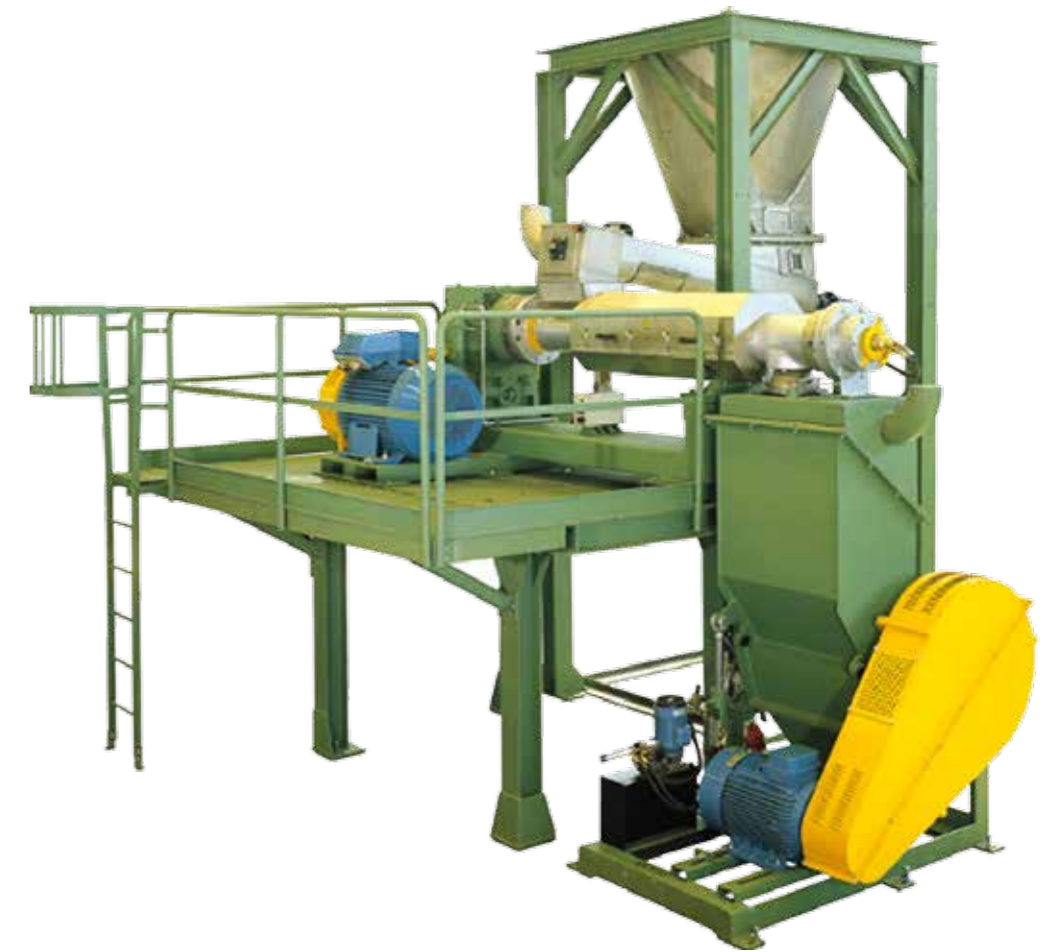
The material is fed by gravity without forced feeding. The transversal discharge conveys the melt material in the extruder feeding opening. The additional degassing improves the quality with printed and wet materials

DEGASSING FOR TRAMU 250 AND TRAMU 300

Degassing guarantees a high quality of the final product during the most critical operating conditions, with very thin humid printed and/or heterogenous films

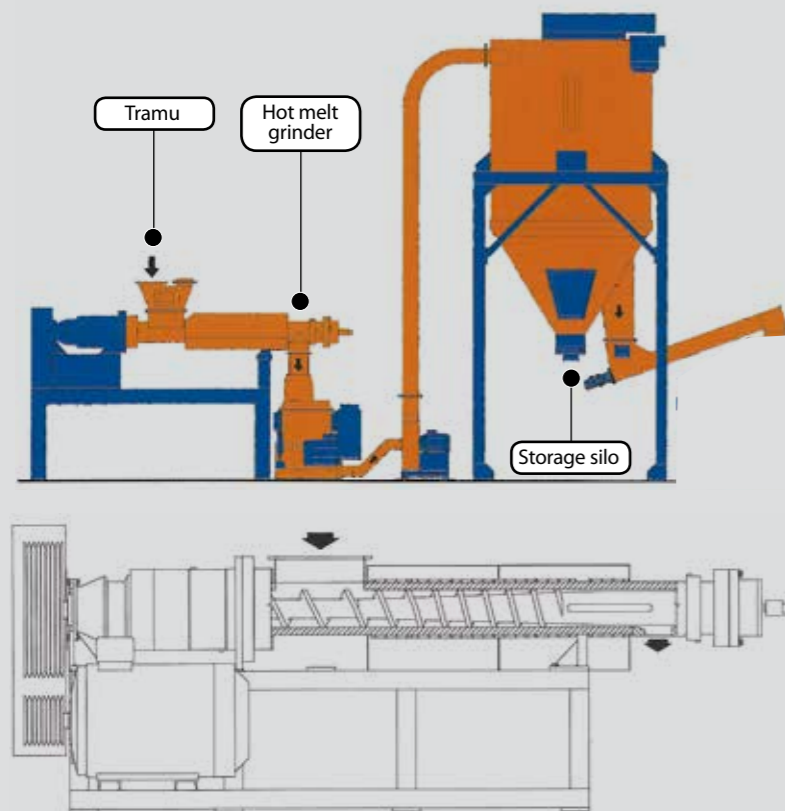
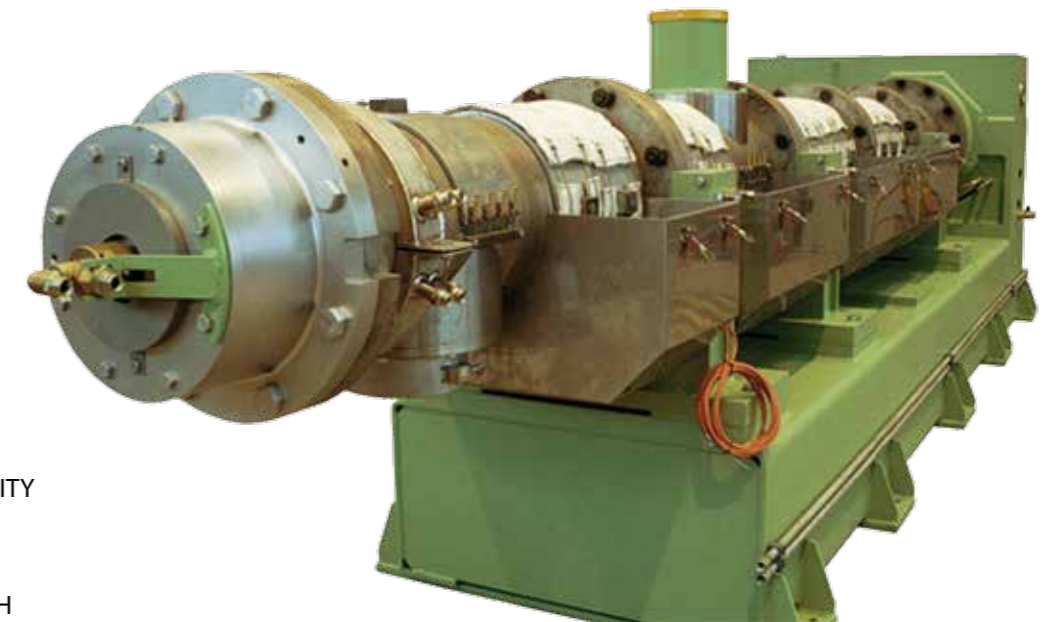
TRAMU 250

IT IS USED IN PLANTS WITH PRODUCTION CAPACITY IS FROM 750 TO 1500 KG/H ACCORDING TO THE MATERIAL AND THE RESIDUAL HUMIDITY.



TRAMU 300

IT IS SUITABLE FOR HIGH CAPACITY AGGLOMERATION PLANTS. AS WITH THE OTHER MODELS, THE PRODUCTION CAPACITY VARIES FROM 1500 TO 3000 KG/H DEPENDING ON MATERIAL AND HUMIDITY



PREVIERO

SIZE REDUCTION TECHNOLOGY



RUBBER GRINDERS



SHREDDERS



PULVERIZERS



WET GRINDERS



COMPLETE SYSTEM FOR SIZE REDUCTION

RUBBER GRINDERS

SHREDDERS

GRINDERS

PULVERIZERS

STRAND PELLETIZERS

CUBE DICERS

SOREMA

PLASTICS RECYCLING SYSTEMS



PET BOTTLES



MIXED PLASTICS



PE/PP FILM



HDPE BOTTLES



MODULES FOR RECYCLING PROCESS

COMPLETE TURN KEY SYSTEMS FOR:

PET/HDPE BOTTLES

PS/PP/PE RIGID PLASTICS

MIXED PLASTICS

POST CONSUMER FILM

AGRICULTURAL FILM

VIA PER CAVOLTO, 17 • 22040 ANZANO DEL PARCO (CO) • ITALY

TEL. +39 031 63491250

sales@previero.it • sales@sorema.it • www.previero.it • www.sorema.it

Previero reserve the right to make changes to the machines in order to improve their operation.
The data of this catalogue must be therefore understood as informative.