

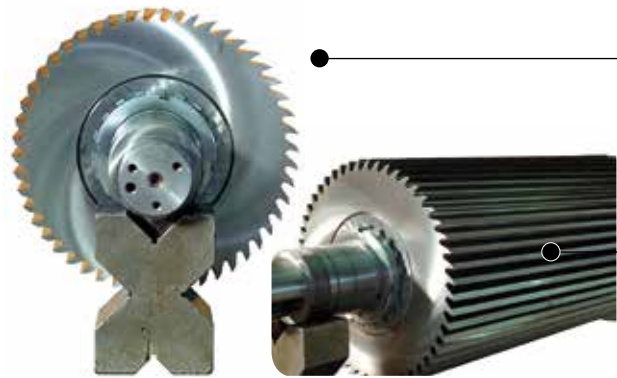
PREVIERO

SIZE REDUCTION TECHNOLOGY



PELLETIZERS
SERIES PRS



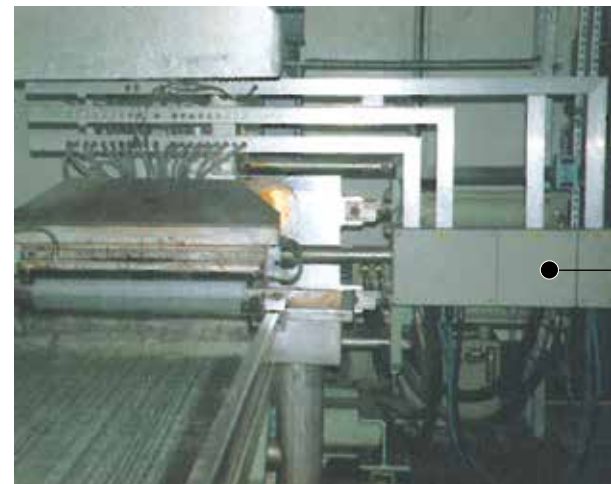


Cutter

Rotor



Cooling tank with air blade drying



Extrusion head for strands with continuous screen-changer



TA 1000 PRS FOR POLYMERIZING PLANTS AND VERY HIGH PRODUCTION

AVAILABLE WITH:

- 50 BLADE CUTTER ROTOR
- 50 BLADES ROTOR WITH WEDGE BLOCKING
- WATER COOLING OF FEEDING ROLLS
- COMPLETE PLANTS WITH DIE, WATER BASIN, DRYING, SIEVE UNIT

OPTIONS

- TUNGSTEN CARBIDE FIXED BLADE
- UPPER FEEDING ROLLERS IN SPECIAL POLYMERIC ALLOYS
- UPPER FEEDING ROLLERS WITH SPRING RINGS
- COMPLETE STAINLESS STEEL CONSTRUCTION
- CONTROL PANEL WITH DOUBLE INVERTER FOR THE PRODUCTION OF VARIABLE LENGTH GRANULES AND MICROGRANULES
- MOTOR DRIVEN DOUBLE FEEDING

BLADES

- STAINLESS STEEL BLADES WITH STELLITE CUTTING EDGE
- SPECIAL STEEL BLADES WITH HIGH HARDNESS
- TUNGSTEN CARBIDE BLADES
- BLADES WITH PDV-TIN SURFACE TREATMENT



Easy access to the cutting chamber

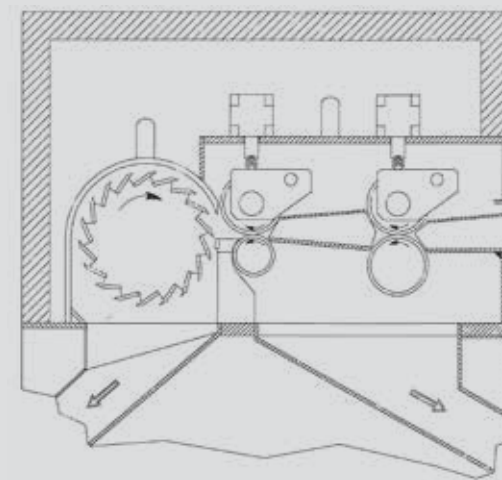
Rotor with wedge blocked interchangeable blade



Water cooling of the upper feeding rollers (PRS only)



PELLETIZER SECTION



Soundproofing of the cutting chamber



PREVIERO

SIZE REDUCTION TECHNOLOGY



RUBBER GRINDERS



SHREDDERS



PULVERIZERS



WET GRINDERS



COMPLETE
SYSTEM
FOR SIZE
REDUCTION

RUBBER GRINDERS

SHREDDERS

GRINDERS

PULVERIZERS

STRAND
PELLETIZERS

CUBE DICERS

SOREMA

PLASTICS RECYCLING SYSTEMS



PET BOTTLES



MIXED PLASTICS



PE/PP FILM



HDPE BOTTLES



MODULES FOR
RECYCLING
PROCESS

COMPLETE TURN
KEY SYSTEMS FOR:

PET/HDPE BOTTLES

PS/PP/PE
RIGIDPLASTICS

MIXED PLASTICS

POST CONSUMER
FILM

AGRICULTURAL
FILM

VIA PER CAVOLTO, 17 • 22040 ANZANO DEL PARCO (CO) • ITALY

TEL. +39 031 63491250

sales@previero.it • sales@sorema.it • www.previero.it • www.sorema.it

Previero reserve the right to make changes to the machines in order to improve their operation.

The data of this catalogue must be therefore understood as informative.