

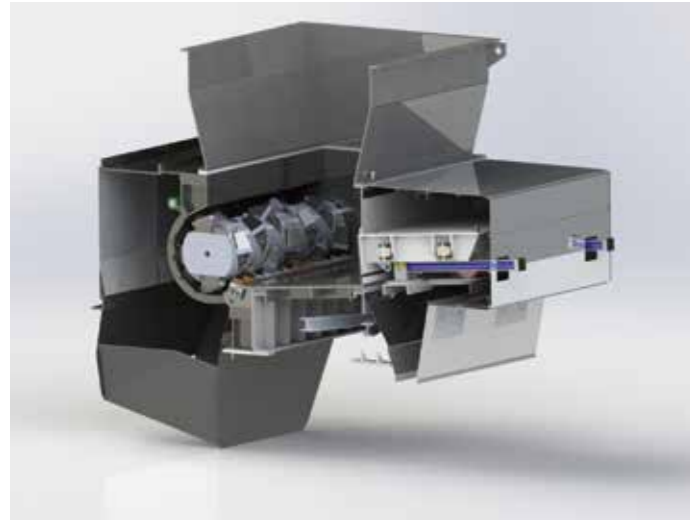
PREVIERO

SIZE REDUCTION TECHNOLOGY

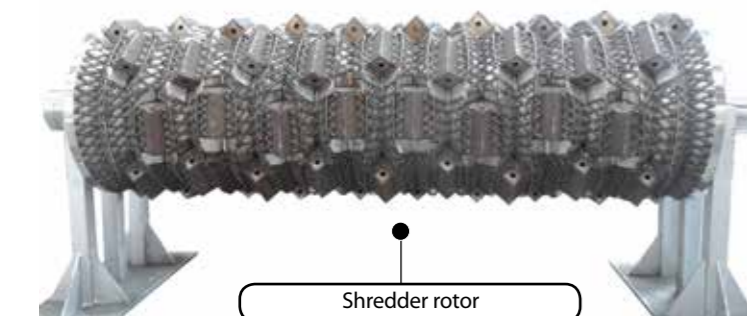


SHREDDER
PR 2800



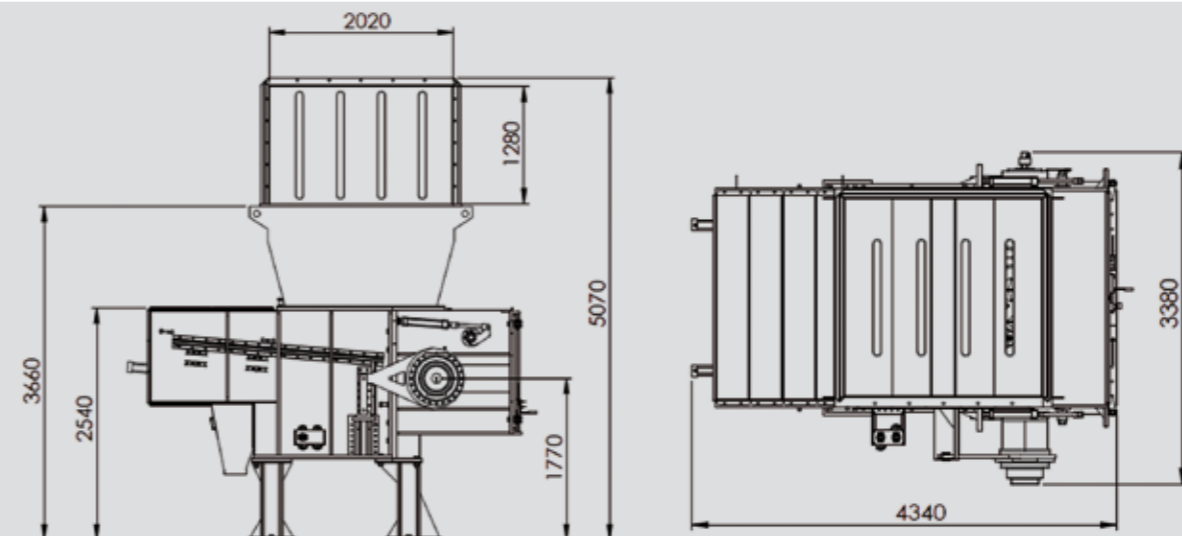


- LARGE VOLUME HOPPER FOR VERTICAL FEEDING
- OVERSIZE CONSTRUCTION WITH BEARING SUPPORTS DESIGNED FOR HIGH AND INTENSIVE LOADS
- DIRECT HYDRAULIC MOTORIZATION OF THE ROTOR WITH POSSIBILITY TO ADJUST THE ROTATING SPEED
- START ROTATION AT FULL LOAD, TORQUE HYDRAULIC CONTROL, REVERSE ROTATION TO ELIMINATE EVENTUAL BLOCKAGE
- HYDRAULIC PUSHER WITH SPEED ADJUSTED BY THE ROTOR LOAD



CUTTING CHAMBER

- Ø 750 X 2000 MM ROTOR, AVAILABLE IN VARIOUS ARRANGEMENTS WITH DIMENSIONS AND VARIABLE NUMBER OF BLADES
- ROTATING BLADES THAT CAN BE ROTATED. SPECIAL CRAMPED BLADES AND BLADES IN TUNGSTEN CARBIDE AVAILABLE ON REQUEST
- FIXED BLADES WITH CLEARANCE ADJUSTMENT WHICH CAN BE RE-SHARPENED
- INSTALLED POWER DEPENDING ON THE APPLICATION FROM 200 TO 300 KW

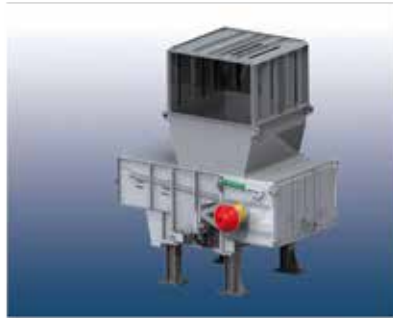


PREVIERO

SIZE REDUCTION TECHNOLOGY



RUBBER GRINDERS



SHREDDERS



PULVERIZERS



WET GRINDERS



COMPLETE
SYSTEM
FOR SIZE
REDUCTION

RUBBER GRINDERS

SHREDDERS

GRINDERS

PULVERIZERS

STRAND
PELLETIZERS

CUBE DICERS

SOREMA

PLASTICS RECYCLING SYSTEMS



PET BOTTLES



MIXED PLASTICS



PE/PP FILM



HDPE BOTTLES



MODULES FOR
RECYCLING
PROCESS

COMPLETE TURN
KEY SYSTEMS FOR:

PET/HDPE BOTTLES

PS/PP/PE
RIGID PLASTICS

MIXED PLASTICS

POST CONSUMER
FILM

AGRICULTURAL
FILM

VIA PER CAVOLTO, 17 • 22040 ANZANO DEL PARCO (CO) • ITALY

TEL. +39 031 63491250

sales@previero.it • sales@sorema.it • www.previero.it • www.sorema.it

Previero reserve the right to make changes to the machines in order to improve their operation.

The data of this catalogue must be therefore understood as informative.